

GNAL-S Mini Cam Lock

Features

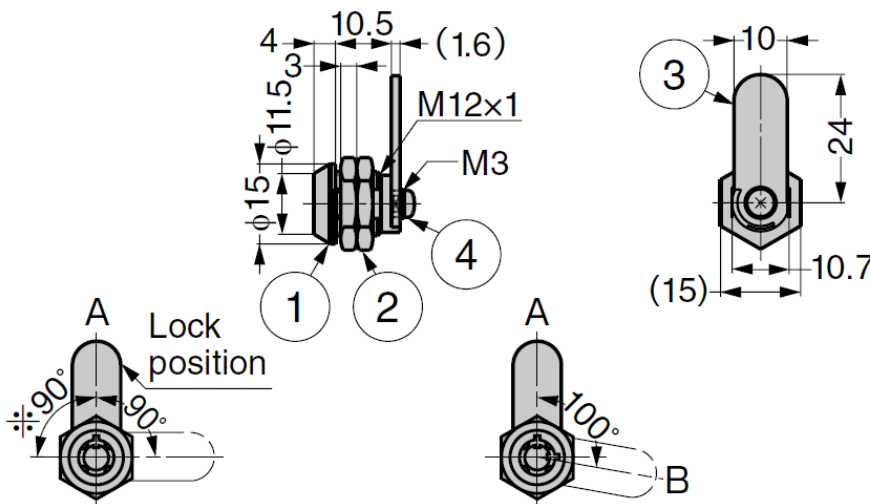
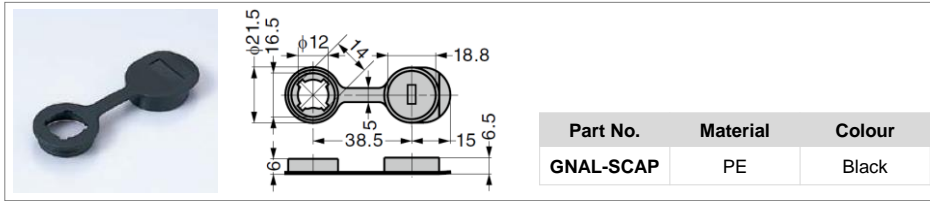
- **GNAL-S-1:** Key is removable only in locked position
- **GNAL-S-2:** Key is removable in both locked and unlocked positions
- Cam is reversible (clockwise rotation at delivery)
- Both keyed alike and keyed differently (25 key changes) options available

Notes

- Spring works key to pull back, push the key tightly and turn to lock and unlock

Sold Separately

- Cap (**GNAL-SCAP**)

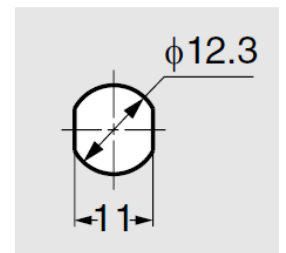


One Slot (A) Type
GNAL-S-1
(※ made-to-order)

Two-slot (A, B) Type
GNAL-S-2

Note: Install the body in the direction as shown

No.	Part Name	Material	Finish
①	Body	Zinc Alloy	Chrome
②	Hex Nut	Steel	Clear Zinc Chromate (Trivalent)
③	Cam		Chrome
④	Screw (for Installing Cam)		Clear Zinc Chromate (Trivalent)
⑤	Key		Chrome



Part No.	Slots	Key Type	Door Thickness
GNAL-S-1-B	One Key	Keyed Differently	Max. 2
GNAL-S-1-D		Keyed Alike	
GNAL-S-2-B	Two Key	Keyed Differently	
GNAL-S-2-D		Keyed Alike	